



Alphabetical Picture Part Number
SEARCH **SEARCH** **SEARCH**

Go To Step Search™ Screen

207464-2 -- 1 of 1 products

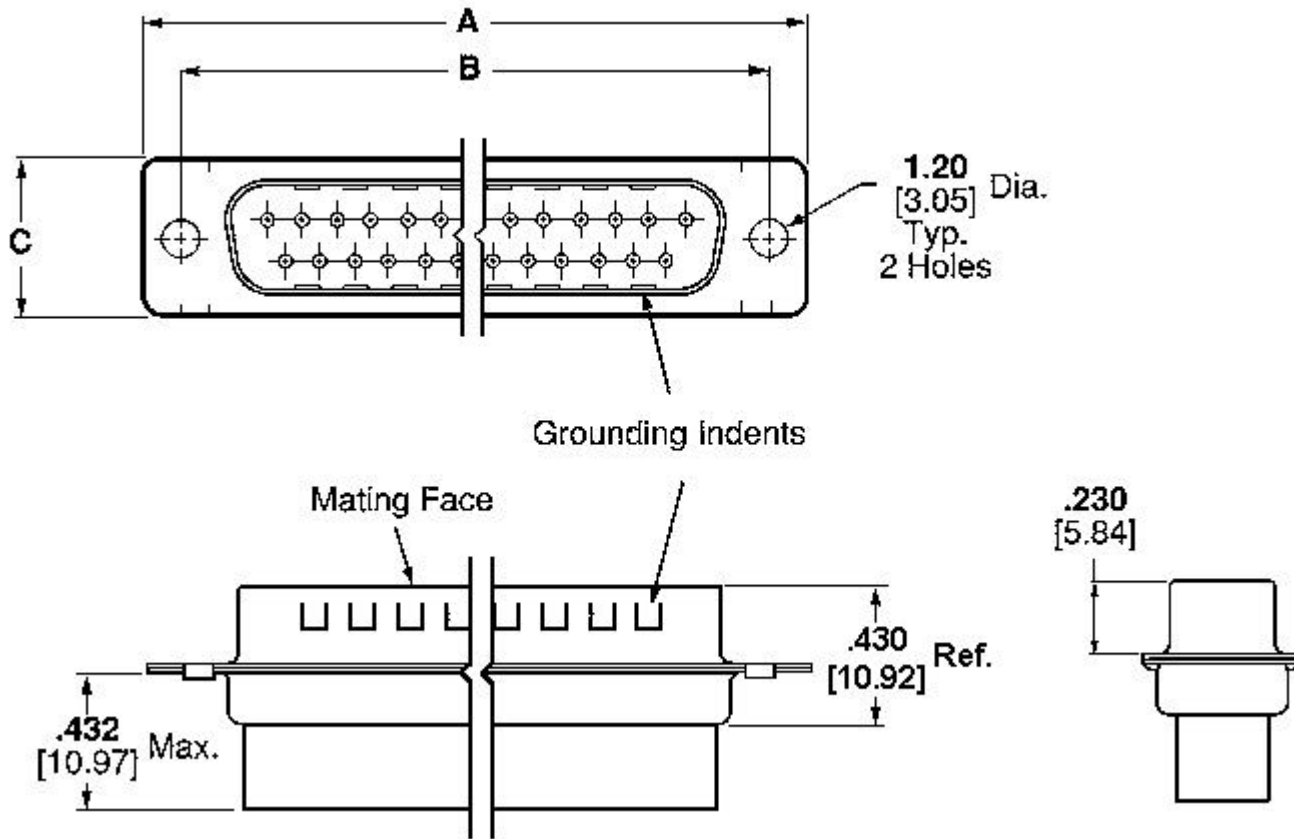
General **INFO**

AMPLIMITE Subminiature D Connectors
AMPLIMITE Subminiature D Cable Connectors

Sales **INFO**

Customer Drawings **SPECIFICATIONS**

Please use Customer Drawing or CAD file for design activity; line art and other pictures are general representations of product dimensions.



Line art represents typical product only.

Searchable Features:

Product Type	Connector
# of Positions	25
Sex	Plug
Wire Termination Type	Crimp Snap
Mating Connector Lock	With
Mating Connector Lock Type	Mounting Holes
Shell Size	3
Shell Type	Front Metal Shell
Contact Size	20
Grounding Indents	With
Product Series	HDP-20
Grade	Standard

Other Properties:

Dim. A	2.088 [53.04] in. [mm]
Dim. B	1.852 [47.04] in. [mm]
Dim. C	.494 [12.55] in. [mm]
Color	Black
Shell Material	Steel
Shell Plating	Tin
Insert Material	Thermoplastic
Insert Flammability Rating	UL 94V-0
Comment	Plugs accept size 20 DF pin contacts.

[[Main Menu](#) | [Help](#) | [Family Search](#) | [Registration](#) | [Feedback](#)]
[Top of Page](#)